

TEAC

SL-D90


 COMPACT
disc
DIGITAL AUDIO

AM/FM STEREO RADIO CD-PLAYER WITH DIGITAL CLOCK

OWNER'S MANUAL MANUEL DU PROPRIETAIRE

Thank you for choosing TEAC. Read this manual carefully to get the best performance from this unit.

Nous vous remercions pour l'achat d'un appareil TEAC. Lire ce manuel avec attention pour obtenir les meilleures performances possibles de cet appareil.

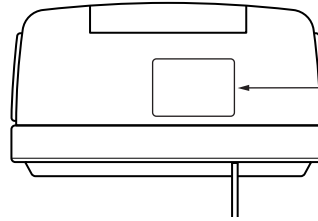
Before Use	4	Avant Utilisation.....	4
Compact Disc	5	Disques Compacts.....	5
Remote Control Unit.....	6	Boîtier de télécommande	6
Connection.....	7	Connexions	7
Names of Each Control.....	8	Nomenclature	10
CD		CD	
Playing a CD	12	Lecture du CD.....	12
Programmed Playback	14	Lecture programmée	14
Repeat Playback.....	16	Lecture répétitive	16
Shuffle Playback.....	17	Lecture aléatoire	17
Intro Check	17	Fonction de contrôle d'introductions	17
AUX		AUX	
Listening to the External Sources.....	17	Ecoute à partir d'une source externe	17
TUNER		TUNER	
Listening to the Radio	18	Ecoute radio	18
How to Preset Stations.....	19	Comment pré-réglé une station.....	19
Sleep Timer.....	20	Minuterie sommeil.....	20
Clock Adjustment.....	20	Réglage de l'horloge	20
Timer	21	Minuterie.....	21
Troubleshooting	22	Guide de dépannage	22
Specifications	23	Spécifications	23

Important Safety Instructions

This product has been designed and manufactured according to FDA regulations "title 21, CFR, chapter 1, subchapter J, based on the Radiation Control for Health and Safety Act of 1968", and is classified as class 1 laser product. There is not hazardous invisible laser radiation during operation because invisible laser radiation emitted inside of this product is completely confined in the protective housings.

The label required in this regulation is shown ①.

① For U.S.A.



CERTIFICATION
THIS PRODUCT COMPLIES WITH DHHS RULES 21
CFR SUBCHAPTER J APPLICABLE AT DATE OF
MANUFACTURE.
TEAC CORPORATION
3-7-3, NAKA-CHO, MUSASHINO-SHI, TOKYO, JAPAN
MANUFACTURED : _____

CAUTION

- DO NOT REMOVE THE PROTECTIVE HOUSING USING SCREWDRIVER.
- USE OF CONTROLS OR ADJUSTMENTS OR PERFORMANCE OF PROCEDURES OTHER THAN THOSE SPECIFIED HEREIN MAY RESULT IN HAZARDOUS RADIATION EXPOSURE.
- IF THIS PRODUCT DEVELOPS TROUBLE, MAKE A CONTACT WITH OUR SERVICEMAN, AND DO NOT USE THE PRODUCT IN A TROUBLED STATE.

Optical pickup :

Type : KSM-213CDM
Manufacturer : SONY Corporation
Laser output : Less than 0.5 mW on the objective lens
Wavelength : 760 - 800 nm

For U.S.A.

TO THE USER

This equipment has been tested and found to comply with the limits for a Class B digital device, pursuant to Part 15 of the FCC Rules. These limits are designed to provide reasonable protection against interference in a residential area. This device generates and uses radio frequency energy and if not installed and used in accordance with the instructions, it may cause interference to radio or TV reception. If this unit does cause interference with TV or radio reception you can try to correct the interference by one or more of the following measures :

- a) Reorient or relocate the receiving antenna.
- b) Increase the separation between the equipment and the receiver.
- c) Plug the equipment into a different outlet so that it is not on the same circuit as the receiver. If necessary, consult the dealer or an experienced radio/TV technician for additional suggestions.

CAUTION

Changes or modifications to this equipment not expressly approved by TEAC CORPORATION for compliance could void the user's authority to operate this equipment.

For CANADA

AC POWER CORD CONNECTION

CAUTION:

TO PREVENT ELECTRIC SHOCK, MATCH WIDE BLADE OF PLUG TO WIDE SLOT, FULLY INSERT.

Pour le CANADA

CORDE DE CONNEXION CA

ATTENTION:

POUR ÉVITER LES CHOCS ÉLECTRIQUES, INTRODUIRE LA LAME LA PLUS LARGE DE LA FICHE DANS LA BORNE CORRESPONDANTE DE LA PRISE ET POUSSER JUSQU'AU FOND.

WARNING: TO PREVENT FIRE OR SHOCK HAZARD, DO NOT EXPOSE THIS APPLIANCE TO RAIN OR MOISTURE.



CAUTION
RISK OF ELECTRIC SHOCK
DO NOT OPEN



CAUTION: TO REDUCE THE RISK OF ELECTRIC SHOCK, DO NOT REMOVE COVER (OR BACK). NO USER-SERVICEABLE PARTS INSIDE. REFER SERVICING TO QUALIFIED SERVICE PERSONNEL.



THE LIGHTNING FLASH WITH ARROWHEAD SYMBOL, WITHIN AN EQUILATERAL TRIANGLE, IS INTENDED TO ALERT THE USER TO THE PRESENCE OF UNINSULATED "DANGEROUS VOLTAGE" WITHIN THE PRODUCT'S ENCLOSURE THAT MAY BE OF SUFFICIENT MAGNITUDE TO CONSTITUTE A RISK OF ELECTRIC SHOCK TO PERSONS.



THE EXCLAMATION POINT WITHIN AN EQUILATERAL TRIANGLE IS INTENDED TO ALERT THE USER TO THE PRESENCE OF IMPORTANT OPERATING AND MAINTENANCE (SERVICING) INSTRUCTIONS IN THE LITERATURE ACCOMPANYING THE APPLIANCE.

Important Safety Instructions

CAUTION

- Read all of these Instructions.
- Save these Instructions for later use.
- Follow all Warnings and Instructions marked on the audio equipment.

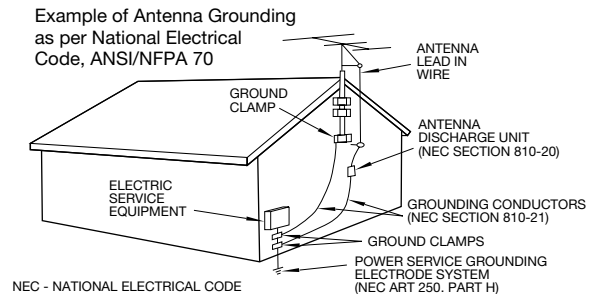
- 1) Read Instructions** — All the safety and operating instructions should be read before the product is operated.
- 2) Retain Instructions** — The safety and operating instructions should be retained for future reference.
- 3) Heed Warnings** — All warnings on the product and in the operating instructions should be adhered to.
- 4) Follow Instructions** — All operating and use instructions should be followed.
- 5) Cleaning** — Unplug this product from the wall outlet before cleaning. Do not use liquid cleaners or aerosol cleaners. Use a damp cloth for cleaning.
- 6) Attachments** — Do not use attachments not recommended by the product manufacturer as they may cause hazards.
- 7) Water and Moisture** — Do not use this product near water — for example, near a bath tub, wash bowl, kitchen sink, or laundry tub; in a wet basement; or near a swimming pool; and the like.
- 8) Accessories** — Do not place this product on an unstable cart, stand, tripod, bracket, or table. The product may fall, causing serious injury to a child or adult, and serious damage to the product. Use only with a cart, stand, tripod, bracket, or table recommended by the manufacturer, or sold with the product. Any mounting of the product should follow the manufacturer's instructions, and should use a mounting accessory recommended by the manufacturer.
- 9) A product and cart combination should be moved with care. Quick stops, excessive force, and uneven surfaces may cause the product and cart combination to overturn.**



- 10) Ventilation** — Slots and openings in the cabinet are provided for ventilation and to ensure reliable operation of the product and to protect it from overheating, and these openings must not be blocked or covered. The openings should never be blocked by placing the product on a bed, sofa, rug, or other similar surface. This product should not be placed in a built-in installation such as a bookcase or rack unless proper ventilation is provided or the manufacturer's instructions have been adhered to.
- 11) Power Sources** — This product should be operated only from the type of power source indicated on the marking label. If you are not sure of the type of power supply to your home, consult your product dealer or local power company. For products intended to operate from battery power, or other sources, refer to the operating instructions.
- 12) Grounding or Polarization** — This product may be equipped with a polarized alternating-current line plug (a plug having one blade wider than the other). This plug will fit into the power outlet only one way. This is a safety feature. If you are unable to insert the plug fully into the outlet, try reversing the plug. If the plug should still fail to fit, contact your electrician to replace your obsolete outlet. Do not defeat the safety purpose of the polarized plug.
- 13) Power-Cord Protection** — Power-supply cords should be routed so that they are not likely to be walked on or pinched by items placed upon or against them, paying particular attention to cords at plugs, convenience receptacles, and the point where they exit from the product.
- 14) Outdoor Antenna Grounding** — If an outside antenna or cable system is connected to the product, be sure the antenna or cable system is grounded so as to provide some protection against voltage surges and built-up static charges. Article 810 of the National Electrical Code, ANSI/NFPA 70, provides information with regard to proper grounding of the mast and supporting structure, grounding of the lead-in wire to an antenna-discharge unit, size of grounding conductors, location of antenna-discharge unit, connection to grounding electrodes, and requirements for the grounding electrode.

Note to CATV system installer:

This reminder is provided to call the CATV system installer's attention to Section 820-40 of the NEC which provides guidelines for proper grounding and, in particular, specifies that the cable ground shall be connected to the grounding system of the building, as close to the point of cable entry as practical."



- 15) Lightning** — For added protection for this product during a lightning storm, or when it is left unattended and unused for long periods of time, unplug it from the wall outlet and disconnect the antenna or cable system. This will prevent damage to the product due to lightning and power-line surges.
- 16) Power Lines** — An outside antenna system should not be located in the vicinity of overhead power lines or other electric light or power circuits, or where it can fall into such power lines or circuits. When installing an outside antenna system, extreme care should be taken to keep from touching such power lines or circuits as contact with them might be fatal.
- 17) Overloading** — Do not overload wall outlets, extension cords, or integral convenience receptacles as this can result in risk of fire or electric shock.
- 18) Object and Liquid Entry** — Never push objects of any kind into this product through openings as they may touch dangerous voltage points or short-out parts that could result in a fire or electric shock. Never spill liquid of any kind on the product.
- 19) Servicing** — Do not attempt to service this product yourself as opening or removing covers may expose you to dangerous voltage or other hazards. Refer all servicing to qualified service personnel.
- 20) Damage Requiring Service** — Unplug this product from the wall outlet and refer servicing to qualified service personnel under the following conditions:
 - a) when the power-supply cord or plug is damaged.
 - b) if liquid has been spilled, or objects have fallen into the product.
 - c) if the product has been exposed to rain or water.
 - d) if the product does not operate normally by following the operating instructions. Adjust only those controls that are covered by the operating instructions as an improper adjustment of other controls may result in damage and will often require extensive work by a qualified technician to restore the product to its normal operation.
 - e) if the product has been dropped or damaged in any way.
 - f) when the product exhibits a distinct change in performance _ this indicates a need for service.
- 21) Replacement Parts** — When replacement parts are required, be sure the service technician has used replacement parts specified by the manufacturer or have the same characteristics as the original part. Unauthorized substitutions may result in fire, electric shock, or other hazards.
- 22) Safety Check** — Upon completion of any service or repairs to this product, ask the service technician to perform safety checks to determine that the product is in proper operating condition.
- 23) Wall or Ceiling Mounting** — The product should be mounted to a wall or ceiling only as recommended by the manufacturer.
- 24) Heat** — The product should be situated away from heat sources such as radiators, heat registers, stoves, or other products (including amplifiers) that produce heat.

Before Use

Read this before operation

- As the unit may become hot during operation, always leave sufficient space around the unit for ventilation.
- The voltage supplied to the unit should match the voltage as printed on the rear panel. If you are in any doubt regarding this matter, consult an electrician.
- Choose the installation location of your unit carefully. Avoid placing it in direct sunlight or close to a source of heat. Also avoid locations subject to vibrations and excessive dust, heat, cold or moisture.
- Do not place the unit on an amplifier/receiver.
- Do not open the cabinet as this might result in damage to the circuitry or electrical shock. If a foreign object should get into the set, contact your dealer or service agency.
- When removing the power plug from the wall outlet, always pull directly on the plug, never yank the cord.
- To keep the laser pickup clean, do not touch it, and do not forget to close the disc tray when not using the CD player.
- Do not attempt to clean the unit with chemical solvents as this might damage the finish. Use a clean, dry cloth.
- Keep this manual in a safe place for future reference.

DO NOT MOVE THE UNIT DURING PLAYBACK

During playback, the disc rotates at high speed. Do NOT lift or move the unit during playback. Doing so may damage the disc.

WHEN MOVING THIS UNIT

When changing places of installation or packing the unit for moving, be sure to remove the disc. Then, press the power switch to turn the power off, and disconnect the power cord. Moving this unit with the disc loaded may result in damage to this unit.

Beware of condensation

When the unit (or a disc) is moved from a cold to a warm place, or used after a sudden temperature change, there is a danger of condensation; vapor in the air could condense on the internal mechanism, making correct operation impossible. To prevent this, or if this occurs, leave the unit for one or two hours with the power turned on. The unit will stabilize at the temperature of its surroundings.

Maintenance

If the surface of the unit gets dirty, wipe with a soft cloth or use diluted mild soap liquid. Be sure to remove any excess completely. Do not use thinner, benzene or alcohol as they may damage the surface of the unit.

Avant Utilisation

Lire ceci avant de faire fonctionner l'appareil

- L'appareil pouvant dégager de la chaleur lorsqu'il fonctionne, laisser un dégagement suffisant au-dessus de l'appareil afin de permettre une ventilation naturelle.
- La tension d'alimentation de l'appareil doit être celle indiquée à l'arrière de l'appareil. En cas de doute, contacter un électricien.
- Choisir avec soin l'endroit où vous placerez votre appareil. Éviter de le placer directement au soleil ou près d'une source de chaleur. Éviter aussi les endroits sujets à des vibrations, à de la poussière excessive, à la chaleur, au froid ou à l'humidité.
- Ne pas placer SL-D90 sur le dessus de l'amplificateur/récepteur.
- Ne pas ouvrir le coffret car ceci risquerait de provoquer des dommages aux circuits ou des chocs électriques. Si un objet rentre dans l'appareil, contacter votre revendeur.
- Lors du débranchement du cordon d'alimentation de la prise murale, toujours tirer sur la fiche et non sur le cordon.
- Pour garder le capteur laser propre, ne pas y toucher et ne pas oublier de fermer le tiroir du disque.
- Ne pas essayer de nettoyer l'appareil avec des solvants chimiques car ceci pourrait endommager la fini de l'appareil. Utiliser un chiffon propre et sec.
- Garder soigneusement ce manuel d'instructions pour une référence ultérieure.

NE DEPLACEZ PAS CET APPAREIL PENDANT L'ECOUTE D'UN DISQUE

Pendant une écoute, le disque tourne à grande vitesse. Ne soulevez pas cet appareil et ne le déplacez pas pendant l'écoute d'un disque. En effet, vous risqueriez d'endommager ce disque.

CONSIGNES DE DEPLACEMENT DE CET APPAREIL

Lorsque vous changez de lieu d'installation ou lorsque vous emballez cet appareil pour le déplacer, n'oubliez pas de retirer le disque. Ensuite, appuyez sur le bouton POWER pour couper la chaîne. Débranchez le câble électrique. Si vous déplacez cet appareil alors qu'il contient un disque, vous risquez d'endommager cet appareil.

Risque de condensation

En cas de déplacement de l'appareil (ou d'un disque) d'un endroit froid vers un endroit chaud, ou en cas d'utilisation après un changement de température brutale, il y a un risque de condensation. La vapeur contenue dans l'air peut se condenser sur le mécanisme interne et affecter le bon fonctionnement de l'appareil. Pour éviter ceci, ou au cas où cela venait à se produire, laisser l'appareil sous tension pendant une heure ou deux. Ceci lui permettra de se stabiliser à la température ambiante.

Entretien

Si la surface de l'appareil devient sale, nettoyer celle-ci à l'aide d'un chiffon doux ou utiliser un liquide de nettoyage neutre. La nettoyer entièrement. Ne pas utiliser de diluant, de benzène ou d'alcool car ils risquent d'endommager la surface de l'appareil.

Compact Disc

Discs which can be used with this unit:

- Conventional audio CDs
- Properly finalized CD-R discs

Note:

Depending on the quality of the disc and/or the condition of the recording, some CD-R discs may **not** be playable. CD-RW discs cannot be played on this unit.


- Always place the disc on the disc tray with the label side uppermost. (Compact discs can be played or recorded only on one side.)
- To remove a disc from its storage case, press down on the center of the case and lift the disc out, holding it carefully by the edges.

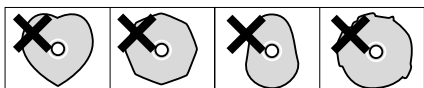


How to remove the disc



How to hold the disc

- Should the disc become dirty, wipe the surface radially with a soft, dry cloth. Do not wipe in a circular motion : 
- Never use such chemicals as record sprays, antistatic sprays or fluid, benzine or thinner to clean the discs. Such chemicals will do irreparable damage to the disc's plastic surface.
- Discs should be returned to their cases after use to avoid dust and scratches that could cause the laser pickup to "skip."
- Do not expose discs to direct sunlight or high humidity and temperature for extended periods. Long exposure to high temperatures will warp the disc.
- CD-R discs are more sensitive to the effects of heat and ultraviolet rays than ordinary CDs. It is important that they are not stored in a location where direct sunlight will fall on them, and which is away from sources of heat such as radiators or heat-generating electrical devices.
- Printable CD-R discs aren't recommended, as the label side might be sticky and damage the unit.
- Do not stick papers or protective sheets on the discs and do not use any protective coating spray.
- Use a soft oil-based felt-tipped pen to write the information on the label side. Never use a ball-point or hard-tipped pen, as this may cause damage to the recorded side.
- Never use a stabilizer. Using commercially available CD stabilizers with this unit will damage the mechanisms and cause them to malfunction.
- Do not use irregular shape CDs (octagonal, heart-shape, etc.). CDs of this sort can damage the unit:



- If you are in any doubt as to the care and handling of a CD-R disc, read the precautions supplied with the disc, or contact the disc manufacturer directly.

Disques Compacts

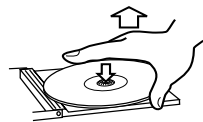
Disques qui peuvent être jouer sur cet appareil,

- DC audio conventionnel
- Enregistrements CD-R finalisés correctement

Veillez noter :

Dépendant de la qualité du disque et/ou la condition de l'enregistrement, certain disques CD-R ne joueront pas. Les disques CD-RW ne joueront pas.

- Placer toujours le disque sur le plateau, la face imprimée sur le dessus (les disques compacts ne sont enregistrés que sur une seule face.)
- Pour sortir un disque de son emballage, appuyer sur la partie centrale de l'étui et sortir le disque en veillant à bien le tenir par les bords.



Comment sortir un disque de son emballage

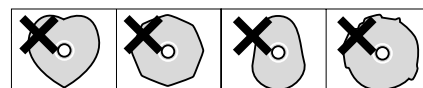


Comment tenir le disque

- Si la surface du disque est sale, l'essuyer soigneusement à l'aide d'un chiffon doux et sec :



- Ne jamais utiliser de produits chimiques, tels que des sprays, des liquides antistatiques, de l'essence ou des diluants pour nettoyer les disques. Ces produits chimiques risquent de provoquer des dégâts irréparables sur la surface en plastique du disque.
- Ranger les disques dans leur étui après utilisation afin d'éviter de les rayer ou que de la poussière ne se dépose, ceci pouvant compromettre la lecture par la tête laser
- Ne pas exposer les disques à la lumière directe du soleil, à une température élevée ou à une humidité excessive pendant une période prolongée. De telles expositions risquent de provoquer une déformation du disque.
- Les disques CD-R sont plus sensibles aux effets de la chaleur et aux rayons ultraviolets que les disques compacts ordinaires. Il est donc particulièrement important de les ranger dans un endroit à l'abri de la lumière directe du soleil et de toute source de chaleur, telle que des radiateurs ou des appareils électriques, susceptibles de dégager de la chaleur.
- Il est déconseillé d'utiliser des disques CD-R inscriptibles, la face portant l'étiquette risquant d'être collante et d'endommager l'appareil.
- Ne jamais coller d'étiquette ou de feuille de protection sur le disque; ne pas utiliser de spray destiné à déposer sur le disque une couche de protection.
- Utiliser, pour écrire des informations sur la face portant l'étiquette, un feutre utilisant une encre à base d'huile. Ne jamais utiliser de stylo bille ou de stylo à pointe dure, qui risquerait d'abîmer la surface enregistrée du disque.
- Ne jamais utiliser de stabilisateurs. L'utilisation, avec cet appareil, de stabilisateurs pour CD disponibles dans le commerce, pourrait endommager les mécanismes de l'appareil et provoquer son dysfonctionnement.
- Ne pas utiliser de CD ayant une forme irrégulière (octogonale, en forme de coeur, etc.), ceux-ci risquant d'endommager l'appareil :



- En cas de doute quant à la manipulation des CD-R, lire les instructions fournies avec le disque ou contacter directement le fabricant du disque.

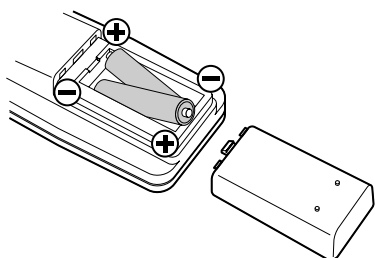
Remote Control Unit

The provided Remote Control Unit allows the unit to be operated from a distance.

When operating the remote control unit, point it towards the REMOTE SENSOR on the front panel of the unit.

- Even if the remote control unit is operated within the effective range, remote control operation may be impossible if there are any obstacles between the unit and the remote control.
- If the remote control unit is operated near other appliances which generate infrared rays, or if other remote control devices using infrared rays are used near the unit, it may operate incorrectly. Conversely, the other appliances may operate incorrectly.

Battery Installation



- 1 Remove the battery compartment cover.
- 2 Insert two "AAA" (R03, SUM-4) dry batteries. Make sure that the batteries are inserted with their positive "+" and negative "-" poles positioned correctly.
- 3 Close the cover.

Battery Replacement

If the distance required between the remote control unit and main unit decreases, the batteries are exhausted. In this case replace the batteries with new ones.

Precautions concerning batteries

- Be sure to insert the batteries with correct positive "+" and negative "-" polarities.
- Use batteries of the same type. Never use different types of batteries together.
- Rechargeable and non-rechargeable batteries can be used. Refer to the precautions on their labels.
- When the remote control unit is not to be used for a long time (more than a month), remove the batteries from the remote control unit to prevent them from leaking. If they leak, wipe away the liquid inside the battery compartment and replace the batteries with new ones.
- Do not heat or disassemble batteries and never dispose of old batteries by throwing them in a fire.

Boîtier de télécommande

Le boîtier de télécommande fourni permet la commande à distance de l'appareil. Pour l'utilisation du boîtier de télécommande, le diriger vers le détecteur de télécommande du panneau avant de l'appareil.

- Même si le boîtier de télécommande est activé dans la zone de fonctionnement, la commande à distance peut être impossible s'il y a des obstacles entre le lecteur et le boîtier de télécommande.
- Si le boîtier de télécommande fonctionne dans le voisinage d'autres appareils générant des rayons infrarouges, ou si d'autres télécommandes utilisant des rayons infrarouges sont utilisées près du lecteur, le lecteur peut ne pas bien fonctionner. Dans la situation inverse, les autres appareils peuvent ne pas bien fonctionner.

Mise en place des piles

- 1 Retirer le couvercle du compartiment des piles.
- 2 Introduire deux piles "AAA" (R03, SUM-4). S'assurer que les piles sont correctement mises en respectant les polarités plus + et moins -.
- 3 Fermer le couvercle jusqu'au déclic.

Remplacement des piles

Si vous remarquez que la distance entre le boîtier de télécommande et le lecteur devient plus courte pour un fonctionnement correct, ceci indique que les piles sont usées. Dans ce cas, remplacer les piles par des nouvelles.

Précautions à observer concernant les piles

- Bien placer les piles en respectant les polarités plus + et moins -.
- Utiliser des piles du même type. Ne jamais essayer d'utiliser des types de pile différents ensemble.
- Des piles ou des batteries peuvent être utilisées. Se référer à leurs étiquettes pour les précautions à respecter.
- Si le boîtier de télécommande n'est pas utilisé pendant une longue période (plus d'un mois), retirer les piles du boîtier de télécommande pour éviter des fuites de pile. Si elles coulent, essuyer le liquide dans le compartiment des piles et remplacer les piles par des neuves.
- Ne pas chauffer, démonter les piles ni les mettre au feu.

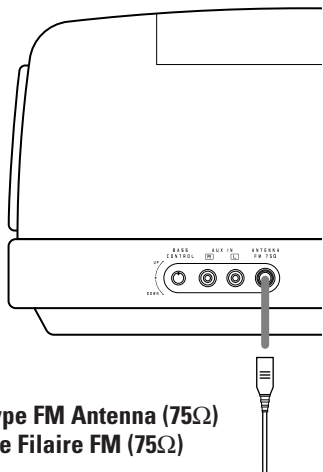
Connection

CAUTION: Do not plug the power cord of any component into AC outlets and do not turn their POWER switches on until all connections have been performed.

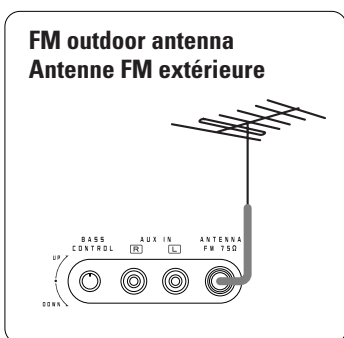
Connection of FM antenna

Connect the lead-type FM antenna to the FM antenna terminal. Secure it in the location providing optimum reception. In an area where FM signals are weak, 75-ohm unbalanced-type outdoor FM antenna (3 elements or more) is recommended.

Lead-type FM Antenna (75Ω)
Antenne Filaire FM (75Ω)



FM outdoor antenna
Antenne FM extérieure

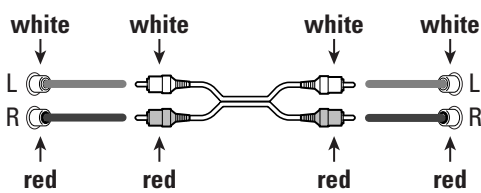


How to connect external sources

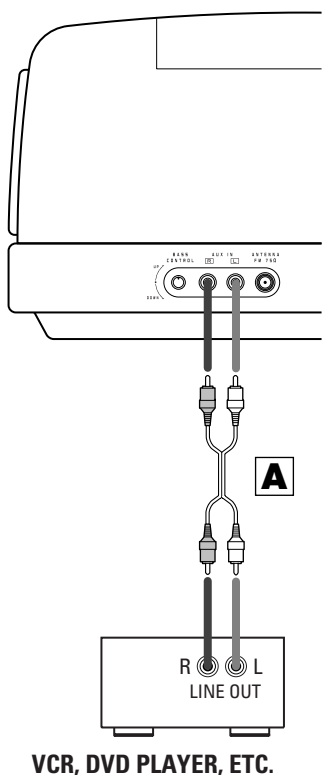
- Read instructions of each component you intend to use with the SL-D90.

A AUX IN jacks

- Make sure to connect:



- Be sure to insert each plug securely. To prevent hum and noise, do not bundle the connection cords with the power cord or speaker cord.



VCR, DVD PLAYER, ETC.

Connexions

AVERTISSEMENT: Ne pas brancher aucun composants et ne pas les allumer jusqu'à temps que toutes les connexions soit faites.

Branchement de l'antenne FM

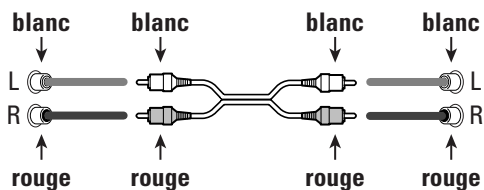
Branchez le fil de l'antenne FM sur le connecteur FM, ensuite le fixer dans la position qui donne la meilleure réception. Où le signal FM est faible, il sera nécessaire d'utiliser une antenne de trois ou plus éléments extérieure FM de 75 ohms.

Pour connecter des appareils externes

- Lisez les instructions de chaque appareil que vous avez l'intention d'utiliser avec votre SL-D90.

A Connecteurs AUX IN

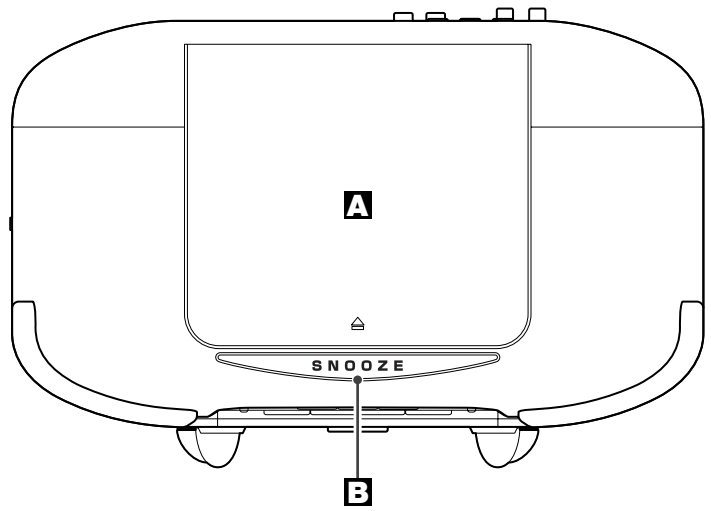
- Assurez vous de connecter:



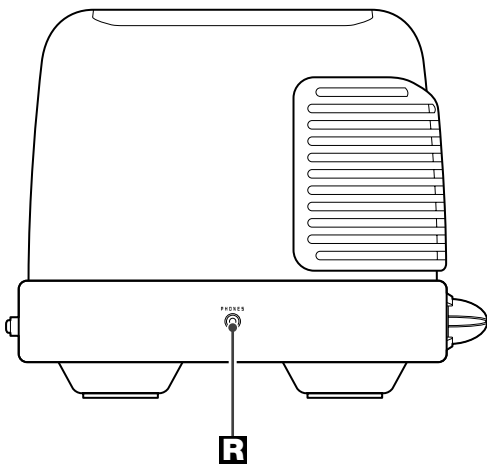
- Assurez-vous que chaque fiche est enfoncée bien à fond. Pour éviter le ronflement, éloignez les câbles de raccordement du cordon d'alimentation et des câbles des haut-parleurs.

Names of Each Control

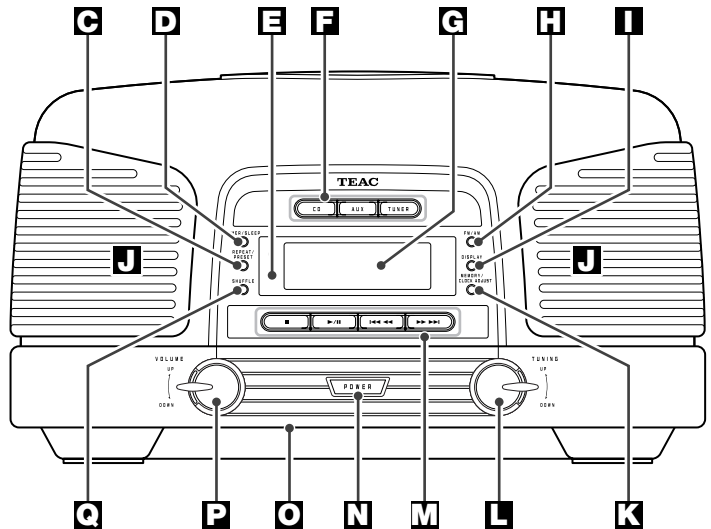
TOP



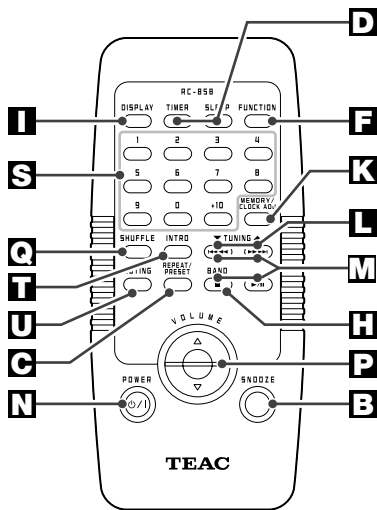
SIDE



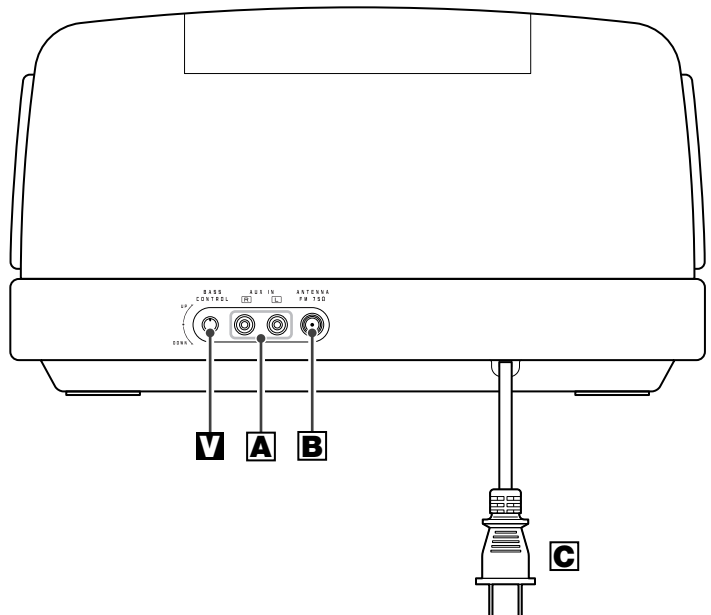
FRONT



REMOTE CONTROL



REAR



Names of Each Control

▲ Disc cover

Press the ▲ mark on the disc cover to open it.

⏸ SNOOZE button

After the on time is reached, use this button to turn the unit off for 5 minutes.

⏮ REPEAT/PRESET button

Use this button to change the repeat mode or select a preset number and station.

⏹ TIMER/SLEEP button

Use this button to set the timer or sleep timer.

📶 Remote sensor

⏪ CD, AUX, TUNER buttons (FUNCTION button)

Press the CD button to play a disc.
Press the AUX button to listen to the external sources connected to the AUX input jacks.
To listen to the radio, press the TUNER button.
Press the FUNCTION button repeatedly when using the remote control unit.

📺 Display

⏪ FM/AM button (BAND button)

Use this button to select FM or AM.

📺 DISPLAY button

Use this button to change the display mode.

🔊 Speakers (stereo)

⏮ MEMORY/CLOCK ADJUST button

Use this button to program tracks or to adjust the clock.

🔊 TUNING knob

Turn this knob to tune in a station.

⏮ CD operation buttons

When TUNER or AUX is selected, these buttons won't work.

⏹ STOP button (■)

Use this button to stop playback.

▶/⏸ PLAY/PAUSE button (▶/⏸)

Use this button to start or pause playback.

⏮ SKIP/SEARCH buttons (⏮ ⏪/⏩ ⏭)

Press these buttons to skip tracks.
Hold down these buttons to search for a part of a track.

⏻ POWER switch

Press this switch to turn the unit on and off.

🔊 Subwoofer

🔊 VOLUME knob

Turn this knob to adjust the volume.

⏮ SHUFFLE button

Use this button to select shuffle playback mode.

📶 PHONES

Insert the headphones plug into the PHONES jack, and adjust the volume.
Both stereo and monaural earphones can be used with this unit.

📺 Numeric buttons

⏮ INTRO button

Use this button to start the Intro Check.

🔊 MUTING button

To cut the sound temporarily, press the MUTING button. Press the MUTING button again to restore the sound. If you change the volume during the muting, the muting will be canceled.

🔊 BASS CONTROL knob

Use this control knob to adjust the subwoofer level.

📶 AUX IN jacks

Connect external sources to these jacks.

📶 FM antenna terminal

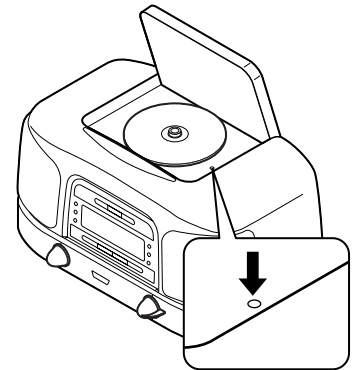
Connect lead-type FM antenna to this terminal.

🔌 AC Power Cord

Plug this AC power cord into an AC wall socket.

The equipment draws nominal nonoperating power from the AC outlet with its POWER switch in the OFF position.

RESET Switch



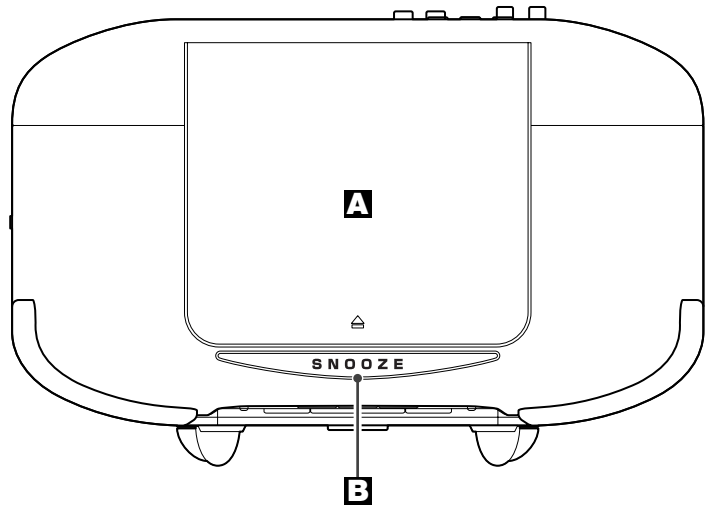
In the following cases, function buttons may not work properly.

- 1) When the system is damaged by some electrical shock.
- 2) When the power is irregular or has electrical noise.

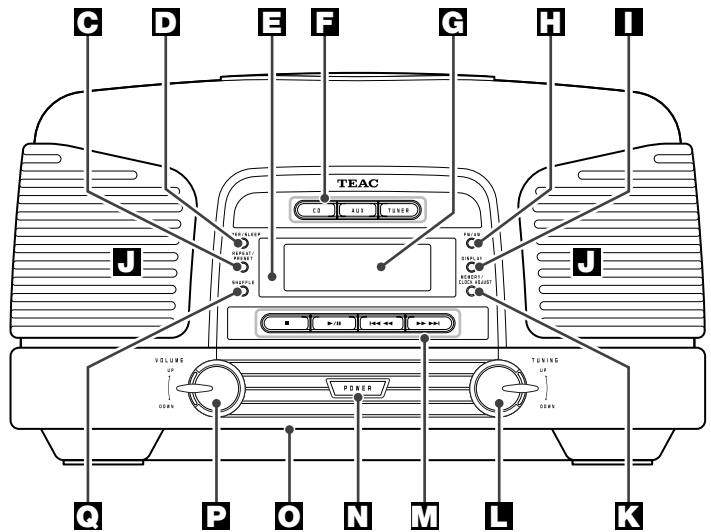
In these cases, press the RESET switch once or twice lightly with a pencil or a ball-point pen.

Nomenclature

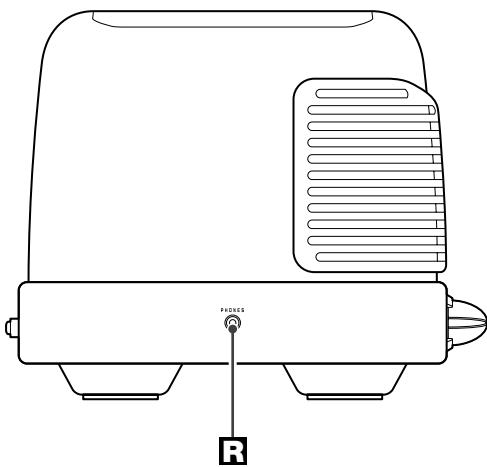
DESSUS



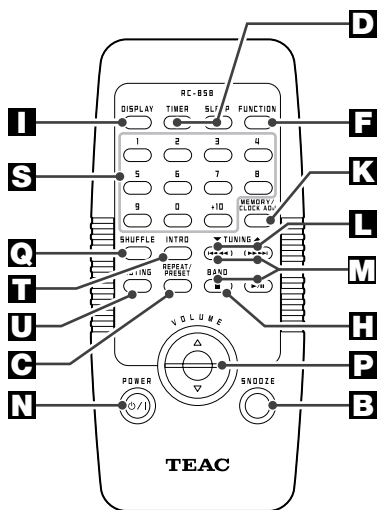
DEVANT



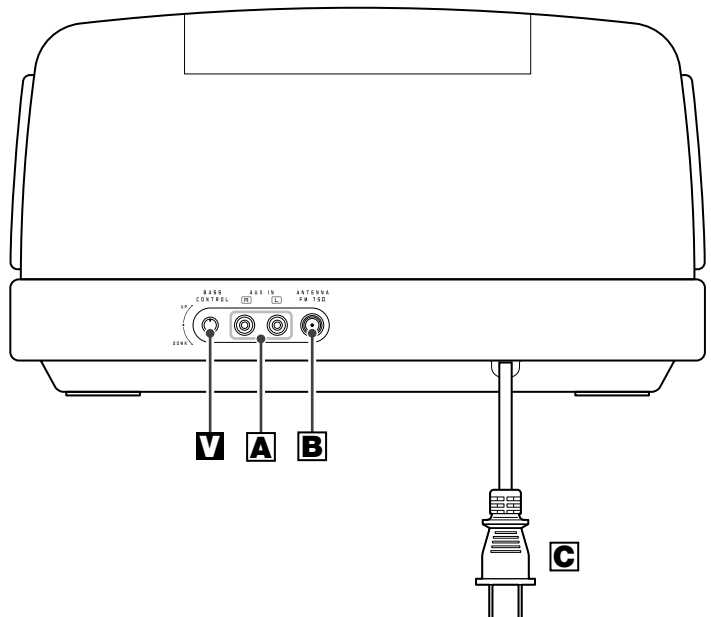
CÔTÉ




TÉLÉCOMMANDE



DERRIÈRE



A Couvercle du disque

Appuyez sur la marque  située sur le couvercle du disque pour l'ouvrir..

B Touche SNOOZE

Après que l'appareil s'est allumé, utilisez cette touche pour l'éteindre pour 5 minutes.

C Touche REPEAT/PRESET

Utilisez cette touche pour changer le répétagé ou choisir un numéro pré-réglé et une station.

D Touche TIMER/SLEEP

Use this button to set the timer or sleep timer.

E Capteur de télécommande

F Touches CD, AUX, TUNER

(Touche FUNCTION)

Appuyer sur la touche CD pour jouer un disque.

Appuyez sur la touche AUX pour écouter des sources externes branchées aux prises d'entrées AUX.

Pour l'écoute du radio, appuyer sur la touche AM ou FM.

Appuyez sur la touche FUNCTION répétitivement quand vous utilisez la télécommande.

G Afficheur

H Touche FM/AM (Touche BAND)

Utilisez cette touche pour choisir le AM ou le FM.

I Touche d'affichage

Utilisez cette touche pour changer le mode d'affichage.

J Haut-parleurs (stéréo)

K Touche MEMORY/CLOCK ADJUST

Utilisez cette touche pour programmer les pistes ou régler l'horloge.

L Commande TUNING

Utiliser ce commande pour la syntonisation d'un poste

M Touches d'opération du CD

Si le TUNER ou le AUX est choisi, ces touches ne fonctionnent pas.

Touche STOP (■)

Utiliser cette touche pour arrêter la lecture.

Touche PLAY/PAUSE (▶/||)

Utiliser cette touche pour débiter ou pausé la lecture.

Touches SKIP/SEARCH (◀◀/▶▶)

Appuyer sur ces touches pour sauter des pistes

Tenir appuyer ces touches pour chercher une section d'une piste.

N Commutateur POWER

Appuyer sur cette touche pour allumer ou éteindre l'appareil.

O Subwoofer

P Commande VOLUME

Utiliser ce commande pour régler le volume

Q Touche SHUFFLE

Utilisez cette touche pour choisir le mode de lecture aléatoire.

R ÉCOUTEURS

Insérer la prise des écouteurs dans cette prise et régler le volume.

Les écouteurs stéréos et monos peuvent être utiliser avec cet appareil.

S Touche numériques

T Touche INTRO

Utilisez cette touche pour débiter la vérification Intro.

U Touche MUTING

Pour couper le son provisoirement, appuyer sur la touche MUTING. Pour rétablir le son, appuyer à nouveau sur cette même touche. Le fait de modifier le volume sonore alors que la fonction MUTING est activée a pour effet d'annuler la fonction MUTING.

V Bouton CONTROLE DES GRAVES

Utilisez ce bouton pour régler le niveau du subwoofer.

A Prises d'entrées AUX

Branchez des sources externes à ces prises.

B Borne d'antenne FM

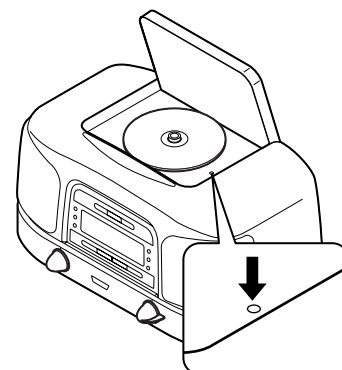
Branchez l'antenne FM à ce borne.

C Cordon d'alimentation

Brancher ce cordon d'alimentation dans une prise murale CA

Cet appareil consomme du courant même quand il est éteint.

Commutateur RESET



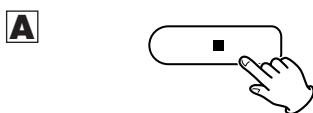
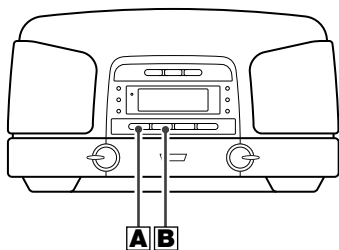
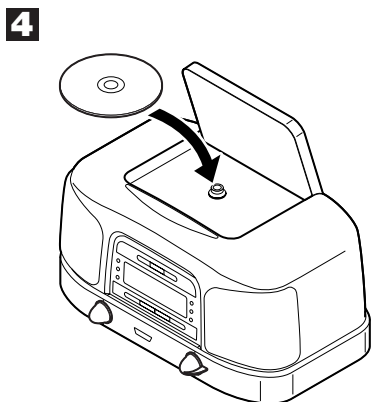
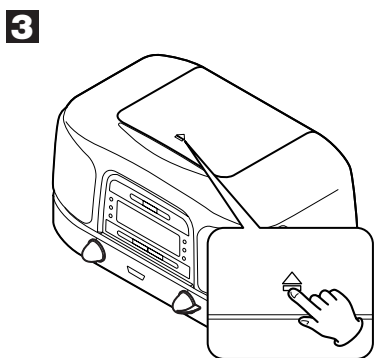
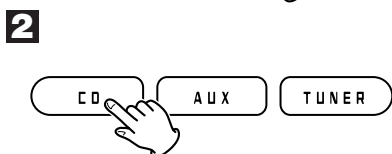
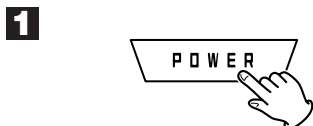
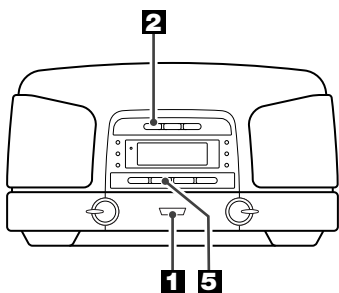
Dans les cas suivants, les boutons de fonctions peuvent ne pas fonctionner correctement

- 1) Quand le système est endommagé par un choc électrique.
- 2) Quand l'alimentation est irrégulière ou bruyante

Dans ces cas, appuyer la touche RESET une ou deux fois avec un crayon ou un stylo.

Playing a CD 1

Lecture du CD 1



1 Press the POWER switch to turn the unit ON.

2 Press the CD button to select "CD".

Press the FUNCTION button repeatedly to select "CD", when using the remote control unit.

- When no disc is in the unit, "no DISC" will be displayed.

3 Press ▲ to open the disc cover.

4 Place a disc with the printed label face up, and close the cover by hand.

- Never place more than one disc in the CD player.
- When closing, press ▲ on the cover.
- The total number of the tracks and total play time of the disc is displayed.
- It takes a few seconds for the unit to read the contents of the disc. No button will work during reading. Wait until the total number of the tracks and total play time of the disc is displayed.

5 Press the PLAY/PAUSE button (▶/||) to start playback.

Playback starts from the first track. When playback of all the tracks has finished, the unit stops automatically.

A To stop playback

Press the STOP button (■) to stop playback.

B To suspend playback temporarily (pause mode)

Press the PLAY/PAUSE button (▶/||). Playback stops at the current position. To resume playback, press the PLAY/PAUSE button (▶/||) again.

1 Appuyer sur le commutateur d'alimentation pour allumer l'appareil.

2 Appuyer sur la touche CD pour choisir "CD"

Appuyez sur la touche FUNCTION répétitivement pour choisir "CD", quand vous utilisez la télécommande.

- Si il n'y a pas de disque dans l'appareil "no DISC".

3 Appuyez sur ▲ pour ouvrir le couvercle du disque.

4 Déposer le disque, face imprimée vers le haut et fermer le tiroir manuellement.

- Ne jamais déposer plus d'un disque dans l'appareil.
- Pour fermer, appuyez sur ▲ sur le couvercle.
- Le nombre total de playes et la durée totale de lecture du disque s'affichent.
- L'appareil prend quelque secondes pour lire le contenu du disque. Aucune touche fonctionne durant cette lecture. Attendre que le nombre total de pistes et la durée totale de lecture du disque est affiché.

5 Appuyer sur la touche PLAY/PAUSE (▶/||) pour débiter la lecture

La lecture débute à la première piste. Quand toute les pistes ont jouées, l'appareil s'arrête automatiquement.

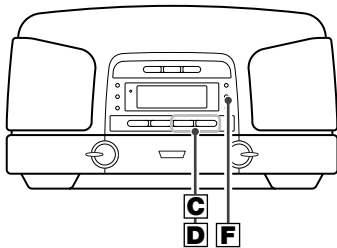
A Pour l'arrêt de la lecture

Appuyer sur la touche STOP (■) pour arrêter la lecture.

B Pour un arrêt momentané de la lecture (mode pause)

Appuyer sur la touche PLAY/PAUSE (▶/||). La lecture s'arrête à la position courante. Pour continuer la lecture appuyer sur la touche PLAY/PAUSE (▶/||) de nouveau.

Playing a CD 2



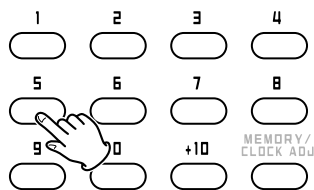
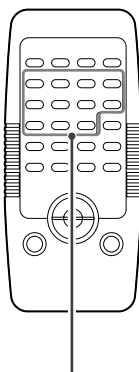
C



D



E



F



C To skip to the next or a previous track

During playback, press the SKIP/SEARCH button (◀◀◀ or ▶▶▶) repeatedly until the desired track is found. The selected track will be played from the beginning.

In the stop mode, press the SKIP/SEARCH button (◀◀◀ or ▶▶▶) repeatedly until the desired track is found, and press the PLAY/PAUSE button (▶/||) to start playback from the selected track.

- When the ◀◀◀ button is pressed once during playback, the track being played will be played from the beginning. To return to the beginning of the previous track, press the ◀◀◀ button twice.
- During programmed playback, the next or previous track in the program is played.

D Search for a part of a track

During playback, hold down the SKIP/SEARCH button (◀◀◀ or ▶▶▶) and release it when the part you want to listen to is found.

E Direct access play

Press the numeric buttons corresponding to the required track. The player starts from the specified track directly.

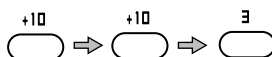
Example 1:

To select the track No.5:



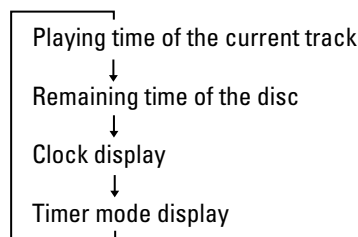
Example 2:

To select the track No.23:



F DISPLAY button

During playback, press this button repeatedly to change the display mode as follows:



- Clock display and timer mode display appears for 4 seconds and returns to original display.
- In the stop mode, remaining time of the disc cannot be selected.

Lecture du CD 2

C Pour sauter vers la piste suivante ou précédente

Durant la lecture, appuyer sur la touche SKIP/SEARCH (◀◀◀ ou ▶▶▶) répétitivement jusqu'à temps que la piste désirée est trouvée. La piste choisie va jouée à partir du début.

En mode arrêt, appuyer sur la touche SKIP/SEARCH (◀◀◀ ou ▶▶▶) répétitivement jusqu'à temps que la piste désirée est trouvée et appuyer sur la touche PLAY/PAUSE (▶/||) pour commencer la lecture de la piste choisie.

- Quand la touche ◀◀◀ est appuyée une fois durant la lecture, la piste qui sera rejouée à partir du début. Pour retourner au début de la piste précédente appuyer sur la touche ◀◀◀ deux fois.
- Durant la lecture programmée, la piste suivante ou précédente du programme est jouée.

D Recherche d'une section de piste

Durant la lecture, tenir appuyer la touche SKIP/SEARCH (◀◀◀ ou ▶▶▶) et relacher quand vous avez atteint la section de piste désirée

E Lecture à accès direct

Appuyer sur les touches numériques correspondant au morceau voulu. Le lecteur commence directement à partir du morceau spécifié.

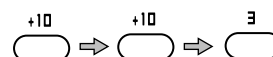
Exemple 1:

Pour lire à partir du 5ème morceau:



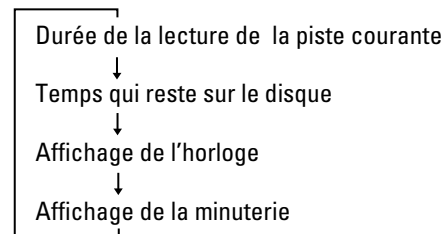
Exemple 2:

Pour lire à partir du 23ème morceau:

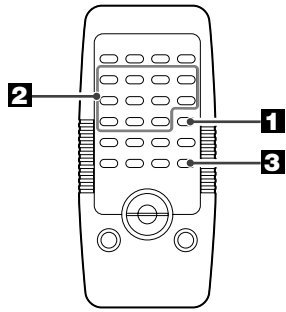


F Touche DISPLAY

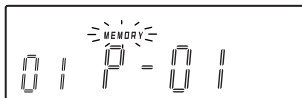
Durant la lecture, appuyez cette touche répétitivement pour changer le mode d'affichage tel qu'il suit:



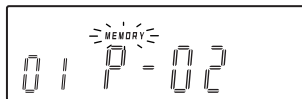
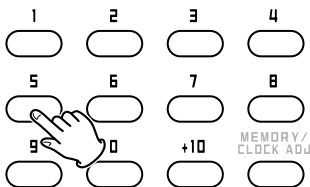
- Affichage de l'horloge et minuterie apparaissent pour 4 secondes seulement.
- En mode d'arrêt, le temps qui reste du disque ne peut pas être choisi.



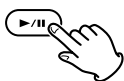
1



2



3



Programmed Playback 1

Up to 20 tracks can be programmed in the desired order.

- Shuffle playback does not work during program playback.
- Insert a disc and select "CD" before beginning programming.

1 Press the MEMORY/CLOCK ADJ button in the stop mode.

"MEMORY" indicator blinks, and "P-01" appears on the display.

2 Within 10 seconds, press the numeric buttons to select a track.

The track is programmed, and "P-02" is displayed.

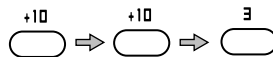
Example 1:

To select the track No.5:



Example 2:

To select the track No.23:



- If the numeric buttons aren't pressed within 10 seconds, program mode will be canceled.
- You can also use the front panel buttons to select a track number. In this case, press the SKIP/SEARCH button to select a track number and then press the MEMORY/CLOCK ADJUST button while "MEMORY" is blinking on the display.

Repeat step **2** to program more tracks.

- You can program up to 20 tracks.
- To cancel the program mode, press the STOP button (■).

3 When the selection of track numbers is completed, press the PLAY/PAUSE button (▶/||) to start program playback.

If the PLAY/PAUSE button isn't pressed within 10 seconds, the MEMORY indicator will go off. In that case, press the MEMORY/CLOCK ADJ button and then press the PLAY/PAUSE button to start program playback.

The programmed contents are kept in memory even after the AUX, TUNER button is pressed or the power is turned off.

Lecture programmée 1

Jusqu'à 20 pistes peuvent être programmer dans l'ordre désiré.

- La lecture aléatoire ne fonctionne pas durant la lecture programmée.
- Choisir un disque et "CD" d'avance.

1 Appuyer sur la touche MEMORY/CLOCK ADJ durant le mode arrêt.

L'indicateur "MEMORY" clignote et "P-01" est affiché

2 En dedans de 10 secondes, appuyer sur les touches numériques pour choisir une piste.

La piste est programmée et "P-02" est affiché.

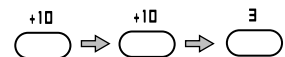
Exemple 1:

Pour lire à partir du 5ème morceau:



Exemple 2:

Pour lire à partir du 23ème morceau:



- Si les touches numériques ne sont pas pressées en moins de 10 secondes, le mode programmation est annulé.
- Vous pouvez aussi utiliser les touches du panneau avant pour choisir un numéro de morceau. Dans ce cas, appuyez sur la touche SKIP/SEARCH pour choisir un numéro de morceau, puis appuyez sur la touche MEMORY/CLOCK ADJUST pendant que "MEMORY" clignote sur l'affichage.

Répéter l'étape et **2** pour programmer d'autre pistes.

- Vous pouvez programmés jusqu'à 20 pistes.
- Pour annuler la programmation, appuyer sur la touche STOP (■)

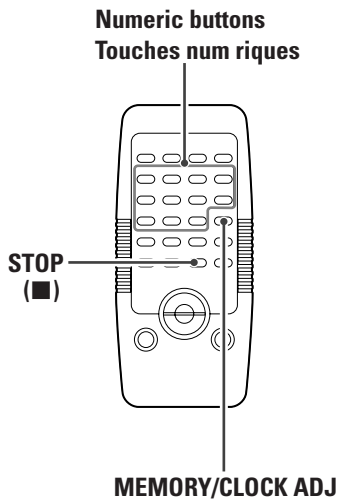
3 Quand vous avez terminés avec votre sélection de pistes, appuyer sur la touche PLAY/PAUSE (▶/||) pour commencer la lecture programmée.

Si la touche PLAY/PAUSE n'est pas appuyée en dedans de 10 secondes, l'indicateur MEMORY s'éteint. Dans ce cas, appuyer sur la touche MEMORY/CLOCK ADJ et ensuite appuyer sur la touche PLAY/PAUSE pour commencer la lecture proramée.

La programmation est retenue en mémoire même si la touche AUX, TUNER est appuyée ou l'appareil est éteint.

Programmed Playback 2

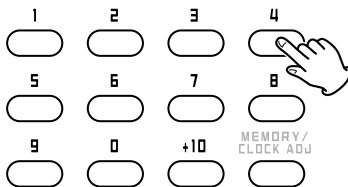
Lecture programmée 2



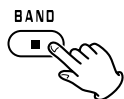
A



B C



D



A To check the programmed order

In the stop mode, press the MEMORY/CLOCK ADJ button repeatedly to show the track numbers that have been stored in memory.

B To add a track to the end of the program

In the stop mode, press the MEMORY/CLOCK ADJ button repeatedly until a track number (00) appears on the display. Select a track number by pressing the numeric buttons. The track is added to the end of the program.

C To overwrite the program


In the stop mode, press the MEMORY/CLOCK ADJ button repeatedly until the track number to be changed appears on the display. Select a new track number by pressing the numeric buttons.

D To cancel the program playback mode

Press the STOP button. "MEMORY" indicator disappears, but the programmed contents aren't lost.

To return to the program mode, press the MEMORY/CLOCK ADJ button.

E To clear program

In the stop mode, do either of the following to clear the program:
Press  on the disc cover and open it.
Press the MEMORY/CLOCK ADJ button and then the STOP button.

- If the unit is disconnected from the power supply for more than 3 minutes, the programmed contents will be cleared.

A Pour vérifier l'ordre de programmation

En mode d'arrêt, appuyez sur la touche MEMORY/CLOCK ADJ répétitivement, pour voir les numéros de pistes entreposés en mémoire.

B Pour ajouter une piste à la fin du programme

En mode d'arrêt, appuyez sur la touche MEMORY/CLOCK ADJ répétitivement jusqu'à temps que le numéro de piste (00) est affiché. Choisir un numéro de piste en appuyant sur les touches numériques. La piste est ajoutée à la fin du programme.

C Pour recouvrir un programme

En mode arrêt, appuyer la touche MEMORY/CLOCK ADJ répétitivement jusqu' à temps que le numéro de piste à changer est affiché. Choisir un nouveau numéro de piste en appuyant sur les touches numériques.

D Pour annuler la lecture programmée

Appuyez sur la touche STOP. le témoin "MEMORY" s'allume, mais le contenu de la programmation n'est pas perdu.

Pour retourner en mode programmation, appuyez sur la touche MEMORY/CLOCK ADJ.

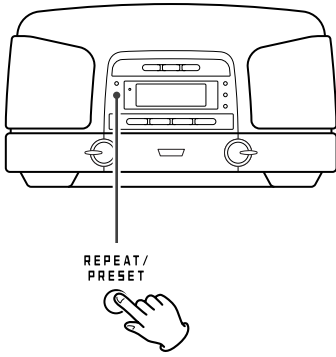
E Pour vidanger la programmation

En mode d'arrêt, réalisez une des opérations suivantes pour annuler le programme:

Appuyez sur la touche  sur la couverture du compartiment à disque pour l'ouvrir.

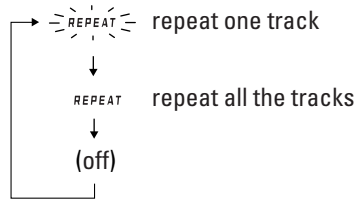
Appuyez sur la touche MEMORY/CLOCK ADJ puis sur la touche STOP.

- Si l'appareil est débranché pour plus de 3 minutes, la programmation est vidangée.



Repeat Playback

Every time the REPEAT/PRESET button is pressed, the REPEAT indicator lights or blinks, and the mode is changed as follows :



Repeat one track

Press the REPEAT/PRESET button once during playback. The repeat indicator blinks.

The track being played will be played repeatedly. If you press the SKIP/SEARCH button or the numeric buttons and select another track, the track you select will be played repeatedly.

It is also possible to select a track to be repeated in the stop mode. Press the REPEAT/PRESET button and then select the track number by pressing the SKIP/SEARCH button or the numeric buttons. Press the PLAY/PAUSE button to start playback.

Repeat All the Tracks

All the tracks of the disc will be played repeatedly.

Press the REPEAT/PRESET button twice. The repeat indicator lights steadily.

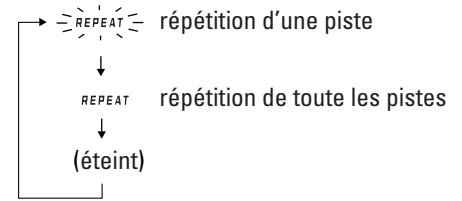
- During program playback, only the programmed tracks will be played in order repeatedly.

- If one of the following buttons is pressed or the disc cover is opened, repeat mode will be canceled:

STOP button (■)
 POWER switch
 AUX button
 TUNER button
 FUNCTION button

Lecture répétitive

Chaque fois que la touche REPEAT/PRESET est appuyée, l'indicateur REPEAT s'allume ou clignote et le mode est changé tel qu'il suit :



Répétition d'une piste

Appuyer sur la touche REPEAT/PRESET une fois durant la lecture. L'indicateur de répétition clignote. La piste courante est rejouée répétitivement. Si vous appuyez sur la touche SKIP/SEARCH ou sur les touches numériques et choisissez une autre piste, cette piste sera jouée répétitivement.

Il est aussi possible de choisir une piste à être répéter en mode arrêt. Appuyer sur la touche REPEAT/PRESET et ensuite choisir le numéro de la piste en appuyant sur la touche SKIP/SEARCH ou sur les touches numériques. Appuyer sur la touche PLAY/PAUSE pour commencer la lecture.

Répétition de toute les pistes

Toute les pistes du disque seront répétées.

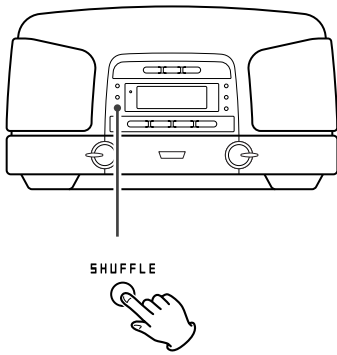
Appuyer sur la touche REPEAT/PRESET deux fois. L'indicateur repeat s'allume solidement.

- Durant la lecture programmée, seulement les pistes programmées seront jouées dans l'ordre répétitivement.

- Si une des touches suivantes est appuyée ou le couvercle du disque est ouvert, le répétagage est annulé:

touche STOP (■)
 commutateur POWER(ALIMENTATION)
 touche AUX
 touche TUNER
 touche FUNCTION

Shuffle Playback



Tracks can be played randomly.

Press the SHUFFLE button in the stop or play mode.

The tracks will be played randomly.

- If you press the SKIP/SEARCH button (▶▶ ▶▶) during shuffle playback, next track will be randomly selected and played.

If you press the SKIP/SEARCH button (◀◀ ◀◀), the currently played track will be played from the beginning.

A track cannot be replayed during shuffle playback.

- To stop shuffle playback, press the STOP button (■).
- To cancel the shuffle playback mode, press the SHUFFLE button.
- If one of the following buttons is pressed or the disc cover is opened, shuffle mode will be canceled:

STOP button (■), POWER switch
AUX button, TUNER button,
FUNCTION button

Intro Check

The Intro Check function allows only the beginning of each track to be played for 10 seconds.

- This function is operational both in the stop mode and during normal playback.

Press the INTRO button.

The INTRO indicator lights in the display, and the Intro Check will start.

- To return to the normal playback, press the INTRO button again.
- To stop the Intro Check function, press the STOP (■) button.
- The Intro Check function also works together with SHUFFLE or REPEAT ONE/ALL functions. This function will not stop until the STOP (■) button is pressed.
- The Intro Check function also works together with the PROGRAM function.

Listening to the External Sources

You can connect external sources such as VCR deck or TV to the AUX input jacks.

1 Press the POWER switch to turn the unit ON.

2 Press the AUX button to select "AUX".

Press the FUNCTION button repeatedly to select "AUX", when using the remote control unit.

Lecture aléatoire

Les pistes peuvent être jouer aléatoirement

Appuyez sur la touche SHUFFLE mode arrêt (stop) ou en mode lecture (play).

Les pistes seront sélectionnées et lues de façon aléatoire.

- Si vous appuyez sur la touche SKIP/SEARCH (▶▶ ▶▶) durant la lecture aléatoire, la piste suivante sera choisie aléatoirement et jouée.

Si vous appuyez sur la touche SKIP/SEARCH (◀◀ ◀◀), la piste courante sera jouée du début.

Une piste ne peut pas être jouer durant la lecture aléatoire.

- Pour arrêter la lecture aléatoire, appuyer sur la touche STOP (■)
- Pour annuler la lecture aléatoire, appuyer sur la touche SHUFFLE.
- Si une des touches suivantes est appuyée ou le couvercle du disque est ouvert, la lecture aléatoire est annulée:

touche STOP (■), commutateur
POWER, touche AUX, touche TUNER,
touche FUNCTION

Fonction de contrôle d'introductions

La fonction de contrôle d'introductions permet de lire seulement le début de chaque piste pendant 10 secondes.

- Cette fonction est opérationnelle dans le mode arrêt et pendant la lecture normale.

Appuyer sur la touche INTRO.

L'indicateur INTRO s'allume dans l'affichage, et la vérification INTRO débutera.

- Pour retourner à une lecture normale, appuyez sur la touche INTRO de nouveau
- Pour arrêter la fonction vérification INTRO, appuyez sur la touche STOP.
- La fonction de contrôle d'introductions marche également avec les fonctions SHUFFLE ou REPEAT ONE/ALL. Cette fonction ne s'arrêtera pas avant que la touche STOP (■) soit pressée.
- La fonction de contrôle d'introductions marche également avec la fonction PROGRAM.

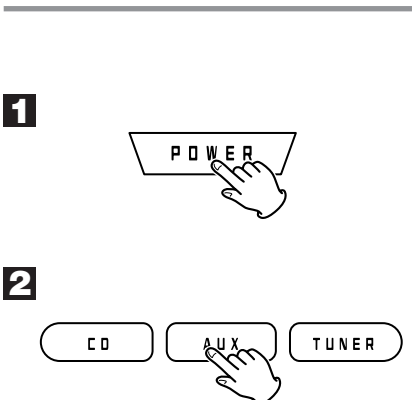
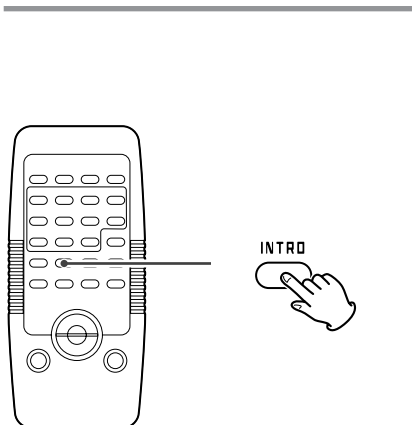
Ecoute à partir d'une source externe

Il est possible de connecter des appareils externes tels qu'une VCR ou un téléviseur aux prises d'entrée AUX.

1 Appuyer sur le commutateur d'alimentation pour allumer l'appareil.

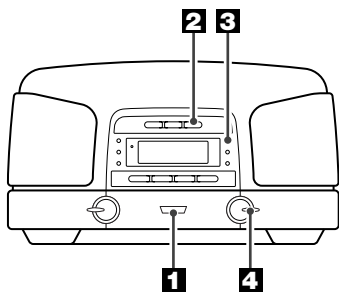
2 Pour sélectionner l'indication AUX, appuyez sur la touche AUX.

Appuyez sur la touche FUNCTION répétitivement pour choisir "AUX", quand vous utilisez la télécommande.

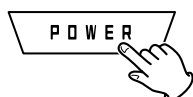


Listening to the Radio

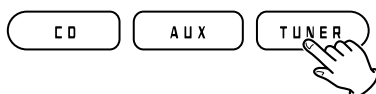
Ecoute radio



1



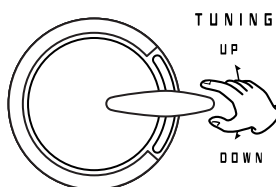
2



3



4



1 Press the POWER switch to turn the unit ON.

2 Press the TUNER button to select "TUNER".

Or, press the FUNCTION button repeatedly to select "TUNER", when using the remote control unit.

3 Press the FM/AM button or the BAND button to select FM or AM.

4 Select the station you want to listen to (auto selection).

Move the TUNING knob up or down until the frequency display begins to change. When a station is tuned in, the tuning process will stop automatically.

- Turn the TUNING knob to stop the auto selection.
- Use the TUNING button, when using the remote control unit.

Selecting stations which cannot be tuned automatically (manual selection).

Tap the TUNING knob up or down to change the frequency in small increments. Release it when the station you want to listen to is found.

Use the TUNING button, when using the remote control unit.

1 Appuyer sur le commutateur POWER pour allumer l'appareil.

2 Appuyez sur la touche TUNER pour sélectionner le "TUNER".

Ou appuyez sur la touche FUNCTION répétitivement pour choisir "TUNER", quand vous utilisez la télécommande.

3 Appuyez sur la touche FM/AM ou la touche BAND pour sélectionner FM ou AM.

4 Sélectionnez la station que vous voulez écouter (auto sélection).

Déplacez le bouton TUNING vers le haut ou vers le bas jusqu'à temps que la fréquence affichée commence à changer. Quand une station est captée, le processus de réglage s'arrête automatiquement.

- Tournez le bouton TUNING pour arrêter la sélection automatique.
- Utilisez la touche TUNING, quand vous utilisez la télécommande.

Sélection des stations impossibles à régler automatiquement (réglage manuel).

Déplacez momentanément vers le haut ou vers le bas le bouton TUNING pour changer la fréquence un peu à la fois. Relâchez le quand vous avez atteint la station désirée.

Utilisez la touche TUNING, quand vous utilisez la télécommande.

How to select preset stations

See next page to store the preset stations.

1 Press the FM/AM button to select FM or AM.

Use the BAND button, when using the remote control unit.

2 Press the REPEAT/PRESET button repeatedly and select a preset channel.

If you press the numeric buttons (1-0) of the remote control unit, you can select a preset channel directly. To select preset number 10, press "0" of the remote control unit.

Sélection des stations pré-réglées

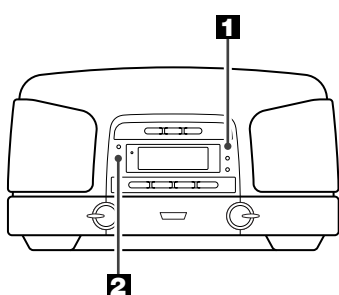
Voir page suivante pour plus de détails sur la façon de mémoriser des stations pré-réglées.

1 Appuyez sur la touche FM/AM pour sélectionner FM ou AM.

Utilisez la touche BAND, quand vous utilisez la télécommande.

2 Appuyez sur la touche REPEAT/PRESET répétitivement et choisir une station pré-réglée.

Si vous appuyez sur les touches numériques (1-0) de la télécommande, vous pouvez choisir une station pré-réglée directement. Pour choisir le pré-réglé numéro 10, appuyez "0" sur la télécommande.



1



2



If the reception is poor

AM broadcast

Turn around the unit to find the best position for AM stations.

FM broadcast

For a good reception, turn around the antenna so that you can get the stations clearly.

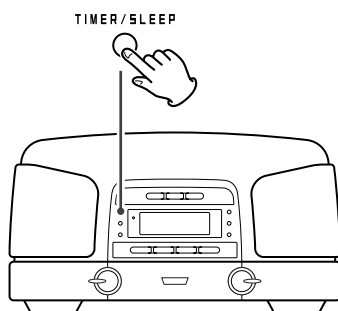
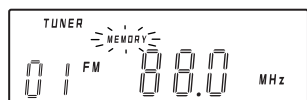
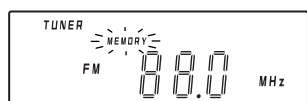
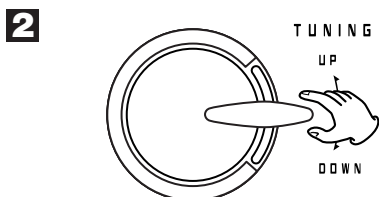
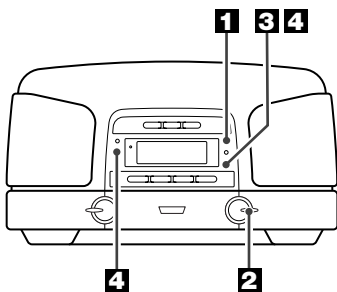
Si la réception est mauvaise

Transmission AM

Tourner l'appareil pour trouver la meilleure position pour les postes AM

Transmission FM

Pour améliorer la réception, orientez l'antenne jusqu'à ce que vous captiez parfaitement les stations désirées.



How to Preset Stations

In each band, up to 10 stations can be stored in preset memories.

1 Press the FM/AM button to select FM or AM.

Use BAND button, when using the remote control unit.

2 Turn the TUNING knob and tune in a station to be stored as a preset station.

3 Press the MEMORY/CLOCK ADJUST button.

4 Within 10 seconds, select a preset channel to store the station using the REPEAT/PRESET button, and then press the MEMORY/CLOCK ADJUST button.

- If you press the numeric buttons (1–0) of the remote control unit, you can store the station directly. In this case you don't have to press the MEMORY/CLOCK ADJUST button.

To store more stations, repeat steps **1** to **4**.

Comment préregistrer une station

Pour chaque bande, jusqu'à 10 stations peuvent être entreposées en mémoire.

1 Appuyez sur la touche BAND pour sélectionner FM ou AM.

Utilisez la touche BAND, quand vous utilisez la télécommande.

2 Tournez le bouton TUNING et syntonisez la station pour être entreposée comme station préregistrée.

3 Appuyez sur la touche MEMORY/CLOCK ADJUST.

4 Dans les 10 secondes qui suivent, sélectionnez un canal préregistré pour mémoriser cette station à l'aide de la touche REPEAT/PRESET; puis appuyez sur la touche MEMORY/CLOCK ADJUST.

- Si vous appuyez sur les touches numériques (1–0) de la télécommande, vous pouvez entreposer la station directement. Dans ce cas, il n'est pas nécessaire d'appuyer sur la touche MEMORY/CLOCK ADJUST.

Pour mémoriser d'autres stations, répétez les étapes **1** à **4**.

Sleep Timer

The power can be switched off at the specified time.

When the power is on, press the TIMER/SLEEP (or the SLEEP button of the remote control unit) button repeatedly until the desired time appears on the display.

The sleep time can be changed at 10-minute intervals.

→ 90 → 80 → 70 → 10 → (OFF)

Minuterie sommeil

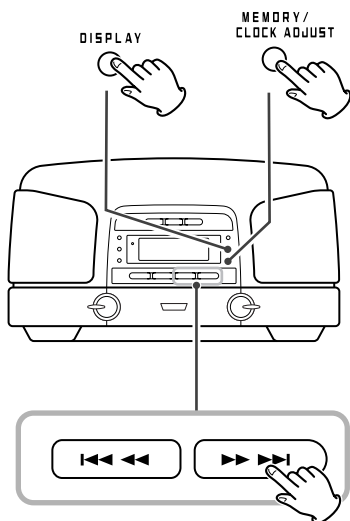
L'appareil peut être éteint à une heure choisie

Quand l'appareil est allumé, appuyez sur la touche TIMER/SLEEP (ou la touche SLEEP de la télécommande) répétitivement jusqu'à temps que l'heure désirée est affichée

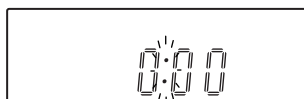
La minuterie sommeil peut être réglée à des intervalles de 10 minutes.

→ 90 → 80 → 70 → 10 → (éteint)

Clock Adjustment



A



1 In the CD mode or the TUNER mode, press the DISPLAY button to select clock display.

“:” blinks in the clock display. (A)

- If the AUX button is selected or the unit is off, press and hold the MEMORY/CLOCK ADJUST button for 2 or more seconds, and continue the procedure from step 3.
- Press the STOP button to cancel the time setting. (In the TUNER mode, press the DISPLAY button.)

2 Within 4 seconds, press and hold the MEMORY/CLOCK ADJUST button for 2 or more seconds.

3 Press the ◀◀◀◀ or ▶▶▶▶ button to select “12H” or “24H”.

If you select “12H”, “AM” indicator appears in the morning and “PM” indicator appears after noon.

- In the TUNER mode, use the TUNING knob.

4 Press the MEMORY/CLOCK ADJUST button.

5 Press the ◀◀◀◀ or ▶▶▶▶ button to set the current hour.

- In the TUNER mode, use the TUNING knob.

6 Press the MEMORY/CLOCK ADJUST button.

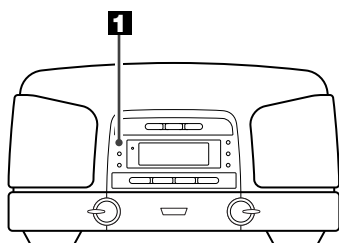
7 Press the ◀◀◀◀ or ▶▶▶▶ button to set the current minute.

- In the TUNER mode, use the TUNING knob.

8 Press the MEMORY/CLOCK ADJUST button to finish the time setting mode.

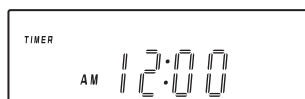
The clock starts from 00 second.

- If the unit is disconnected from the power supply for more than 3 minutes, the clock and timer setting will be reset.
- If the unit is disconnected for less than 3 minutes the time displayed may not be correct.



1

TIMER/SLEEP



Timer 1

Adjust the clock before setting the timer.

Setting the timer

1 Press the DISPLAY button to change the timer mode. (In the CD mode or the TUNER mode, press the button twice)

The “TIMER” indicator blinks on the display. Press the TIMER button to change the timer mode, when using the remote control unit.

Réglage de l'horloge

1 En mode de CD ou de TUNER, appuyez sur la touche DISPLAY pour choisir l'affichage de l'horloge.

“:” clignote dans l'afficheur de l'horloge. (A)

- Si la touche AUX est sélectionnée ou si l'appareil est mis hors tension, maintenez pressée la touche MEMORY/CLOCK ADJUST pendant 2 secondes ou plus et continuez la procédure à partir de l'étape 3.
- Appuyez sur la touche STOP pour annuler le réglage de l'heure. (En mode de TUNER, appuyez sur la touche DISPLAY.)

2 En dedans de 4 secondes, appuyez et retenir la touche MEMORY/CLOCK ADJUST pour 2 secondes ou plus.

3 Appuyez sur la touche ◀◀◀◀ ou ▶▶▶▶ pour choisir “12H” ou “24H”.

Si vous choisissez “12H”, le témoin “AM” s'allume pour le matin et le témoin “PM” s'allume pour l'après-midi.

- En mode de TUNER, utilisez la commande TUNER.

4 Appuyez sur la touche MEMORY/CLOCK ADJUST.

5 Appuyez sur la touche ◀◀◀◀ ou ▶▶▶▶ pour régler l'heure.

- En mode de TUNER, utilisez la commande TUNER.

6 Appuyez sur la touche MEMORY/CLOCK ADJUST.

7 Appuyez sur la touche ◀◀◀◀ ou ▶▶▶▶ pour régler les minutes.

- En mode de TUNER, utilisez la commande TUNER.

8 Appuyez sur la touche MEMORY/CLOCK ADJUST pour finir le réglage de l'horloge.

L'horloge démarre à 00 seconde.

- Si l'appareil est débranché pour plus de 3 minutes, l'horloge et la minuterie devront être régler de nouveau.
- Si l'appareil est débranché pour moins de 3 minutes, il est possible que l'heure affichée est inexacte.

Minuterie 1

Régler l'horloge avant de régler la minuterie

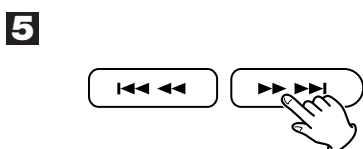
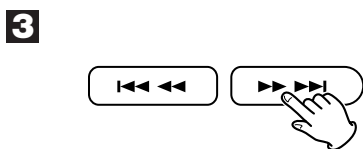
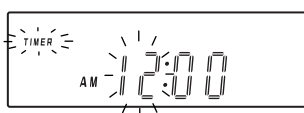
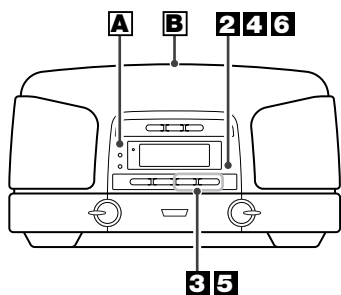
Réglage de la minuterie

1 Appuyer sur la touche DISPLAY pour changer le mode de minuterie. (En mode de CD ou de TUNER, appuyez sur la touche deux fois)

Le témoin “TIMER” clignote.

Appuyez sur la touche TIMER pour changer le mode de miuterie, quand vous utilisez la télécommande.

Timer 2



2 Within 4 seconds, press and hold the **MEMORY/CLOCK ADJUST** button for 2 or more seconds to change the timer setting mode.

The "TIMER" and hour blinks on the display.

3 Press the **◀◀ ◀◀** or **▶▶ ▶▶** button to set the start time (hour).

In the TUNER mode, use the TUNING knob.

4 Press the **MEMORY/CLOCK ADJUST** button.

The minute blinks on the display.

5 Press the **◀◀ ◀◀** or **▶▶ ▶▶** button to set the start time (minute).

In the TUNER mode, use the TUNING knob.

6 Press the **MEMORY/CLOCK ADJUST** button.

Time setting is finished and blinking of the "TIMER" indicator will stop.

Activating the timer

Press and hold the **TIMER/SLEEP** button for 2 or more seconds, and press the **POWER** button to turn the unit off.

The unit will turn on at the specified time every day.

For the timer to start playback of a CD, press the **CD** button to select CD, insert a disc and adjust the volume before turning the unit off.

For the timer to start the radio, tune in a station and adjust the volume before turning the unit off.

Don't forget to turn the unit off, or the timer won't work.

- The stop time cannot be set. When the timer playback has been finished, press the **POWER** switch to turn the unit off.
- If the unit is disconnected from the power supply for more than 3 minutes, the clock and timer settings will be reset.

A To cancel the timer mode

Press the **TIMER/SLEEP** button.

The "TIMER" indicator disappears from the display.

Press the **TIMER** button, when using the remote control unit.

B How to Use the Snooze function

After the on time is reached, press the **SNOOZE** button and the unit will turn off for 5 minutes then turn on again.

The "SNOOZE" indicator appears on the display while snooze function is activated.

You can use this function repeatedly.

Minuterie 2

2 En dedans de 4 secondes, appuyez et retenez la touche **MEMORY/CLOCK ADJUST** pour 2 secondes ou plus pour changer le mode de réglage de la minuterie.

"TIMER" et l'heure clignotent.

3 Appuyez sur la touche **◀◀ ◀◀** ou **▶▶ ▶▶** pour régler le temps du démarrage (heure).

En mode de TUNER, utilisez la commande TUNER.

4 Appuyez sur la touche **MEMORY/CLOCK ADJUST**.

Les minutes clignotent.

5 Appuyez sur la touche **◀◀ ◀◀** ou **▶▶ ▶▶** pour régler le temps du démarrage (minute).

En mode de TUNER, utilisez la commande TUNER.

6 Appuyez sur la touche **MEMORY/CLOCK ADJUST**.

Le réglage de l'heure est terminé et le clignotement du témoin "TIMER" s'arrête.

Activation de la minuterie

Appuyez et retenez la touche **TIMER/SLEEP** pour 2 secondes ou plus, et appuyez sur la touche **POWER** pour éteindre l'appareil.

L'appareil s'allumera à l'heure spécifiée chaque jour.

Pour une lecture minutée d'un CD, appuyez sur la touche **CD** pour choisir CD, insérer un disque et régler le volume avant d'éteindre l'appareil.

Pour une lecture minutée de la radio, capter une station et régler le volume avant d'éteindre l'appareil.

Ne jamais oublier d'éteindre l'appareil, sinon la minuterie ne fonctionnera pas.

- L'heure d'arrêt ne peut pas être réglée. Quand la lecture minutée est terminée, appuyez sur la touche **POWER** pour éteindre l'appareil
- Si l'appareil est débranché pour plus de 3 minutes, l'horloge et la minuterie devront être réglées de nouveau.

A Pour annulement du mode minuterie

Appuyez sur la touche **TIMER/SLEEP**.

Le témoin "TIMER" disparaît.

Appuyez sur la touche **TIMER**, quand vous utilisez la télécommande.

B Comment utiliser la fonction sommeil

Une fois que l'heure de mise en marche est atteinte, appuyez sur la touche **SNOOZE** et l'appareil s'éteindra pour 5 minutes pour ensuite revenir en marche.

Le témoin "SNOOZE" s'allume quand la fonction sommeil est activée. Vous pouvez utiliser cette fonction plusieurs fois.

If you have problems with your system, look through this chart and see if you can solve the problem yourself before calling your dealer or TEAC service center.

General

No power

- Check the connection to the AC power supply.

No sound.

- Adjust the volume.
- If muting is on, press the MUTING button.

The sound is noisy.

- The unit is too close to a TV set or similar appliances. Install the unit further from them, or turn them off.

Tuner

Cannot listen to any station, or signal is too weak.

- Tune in the station properly.
- If a TV is near the unit, turn it off.
- Rotate the unit or antenna wire for the best reception position.

CD Player

Cannot play.

- Load a disc with label side up.
- If the disc is dirty, clean the surface of the disc.
- Don't use scratched, damaged or warped discs.
- Depending on the quality of the disc and/or the condition of the recording, some CD-R discs may not be playable.
- CD-RW discs cannot be played on this unit.
- Copy-prohibited discs may not be playable.

Sound skips.

- Place the unit on a stable place to avoid vibration and shock.
- If the disc is dirty, clean the surface of the disc.
- Don't use scratched, damaged or warped discs.

Remote Control Unit

Remote control doesn't work.

- If the batteries are exhausted, change the batteries.
- Use remote control unit within the range (5m/15ft) and point at the front panel.
- Clear obstacles between the remote control unit and the main unit.
- If a fluorescent light is near the unit, put it off.

En cas de problème, commencer par chercher dans ce tableau pour voir si on peut trouver soi-même la solution avant de contacter le revendeur ou le centre de service client TEAC.

Généralité

L'appareil ne s'allume pas.

- Vérifiez que l'appareil est bien branché à la source d'alimentation CA.

Aucun son ne sort des enceintes.

- Réglez le volume.
- Si la fonction "Silence" est active, appuyez sur la touche MUTING.

Bruits parasites.

- L'appareil est placé à proximité d'un poste de télévision ou d'un autre appareil analogue. Installez l'appareil plus loin de ces derniers, ou mettez ceux-ci hors tension.

Syntonisateur

Aucune station ne peut être captée, ou niveau sonore trop faible.

- Se régler précisément sur la station désirée.
- Si l'appareil se trouve à proximité d'un poste de télévision, éteindre ce dernier.
- Installez de nouveau l'antenne après avoir repéré la meilleure position de réception.

Lecteur de disque compact

Ne fonctionne pas.

- Placez un disque compact dans la platine, face imprimée vers le haut.
- Si le disque est sale, en nettoyer la surface.
- Évitez d'utiliser des disques rayés, abîmés ou voilés.
- Dépendant de la qualité du disque et/ou la condition de l'enregistrement, certains disques CD-R ne joueront pas.
- Les disques CD-RW ne joueront pas.
- Disques défense de copie ne joueront pas.

Le son n'est pas stable.

- Placez l'appareil sur un support stable de façon à éviter les vibrations et les chocs.
- Si le disque est sale, en nettoyer la surface.
- Évitez d'utiliser des disques rayés, abîmés ou voilés.

Télécommande

La télécommande ne fonctionne pas.

- Si les batteries sont usées, remplacez-les.
- Sans dépasser la portée (5 m) de la télécommande, l'orientez vers la face avant de l'appareil.
- Enlevez tout objet pouvant faire obstacle entre la télécommande et l'appareil.
- Éteignez tout éclairage fluorescent à proximité de cet appareil.

Specifications

TUNER Section

Frequency Range(FM) 87.50 MHz to 108.00 MHz
Frequency Range(AM) 520 kHz to 1710 kHz

CD PLAYER Section

Frequency Response 20 Hz to 20 kHz(± 1 dB)
Wow and Flutter Unmeasurable

SPEAKER SYSTEM Section

Type 1-way
Impedance 8 ohms (L & R)
8 ohm (subwoofer)

GENERAL

Total Output Power 20 W
Power Requirements 120V, 60Hz
Power Consumption 15 W

Dimension (W x H x D) 340 x 190 x 238.5 mm
(13-3/8" x 7-1/2" x 9-3/8")
Weight 5.15kg (11-3/8 lb)

Standard Accessories

Remote Control Unit (RC-858) x 1
FM Lead-type Antenna x 1
Owner's Manual x 1
Warranty Card x 1

- Design and specifications are subject to change without notice.
- Illustrations may differ slightly from production models.

Spécifications

Section SYNTONISATEUR

Gamme de fréquence(FM) 87,50 MHz à 108,00 MHz
Gamme de fréquence(AM) 520 kHz à 1710 kHz

Section LECTEUR DISQUE COMPACTE

Réponse de fréquence 20 Hz à 20 kHz(± 1 dB)
Pleurage & scintillement Non-mesurable

Section Système de HAUT-PARLEUR

Type 1 voies
Impédance 8 ohms (L et R)
8 ohm (subwoofer)

GÉNÉRALITÉ

Puissance de sortie totale 20 W
Alimentation 120V CA, 60Hz

Consommation 15 W

Dimension (L x H x P) 340 x 190 x 238,5 mm
Poid (net) 5,15kg

Accessoires Standard

Télécommande (RC-858) x 1
Antenne cadre AM x 1
Manuel du propriétaire x 1
Carte de garantie x 1

- Des améliorations peuvent produire des changements dans les caractéristiques et fonctions sans préavis.
- Les illustrations peuvent différer légèrement des modèles de production.

TEAC

TEAC CORPORATION	3-7-3, Nakacho, Musashino-shi, Tokyo 180-8550, Japan Phone: (0422) 52-5081
TEAC AMERICA, INC.	7733 Telegraph Road, Montebello, California 90640 Phone: (323) 726-0303
TEAC CANADA LTD.	5939 Wallace Street, Mississauga, Ontario L4Z 1Z8, Canada Phone: (905) 890-8008
TEAC MEXICO, S.A. De C.V	Campesions 184, Col.Granjas Esmeralda, 09810, Mexico Phone: (525) 581-5500
TEAC UK LIMITED	5 Marlin House, Croxley Business Park, Watford, Hertfordshire, WD18 8TE, U.K. Phone: 01923-819699
TEAC DEUTSCHLAND GmbH	Bahnstrasse 12, 65205 Wiesbaden-Erbenheim, Germany Phone: 0611-71580
TEAC FRANCE S.A.	17, Rue Alexis-de-Tocqueville, CE 005 92182 Antony Cedex, France Phone: (1) 42.37.01.02
TEAC NEDERLAND BV	Oeverkruid 15, NL-4941 VV Raamsdonksveer, Nederland Phone: 0162-510210
TEAC BELGIUM NV/SA	c/o TEAC NEDERLAND BV, Oeverkruid 15, NL-4941 VV Raamsdonksveer, Nederland Phone: +31-162-510860
TEAC ITALIANA S.p.A.	Via C. Cantù 11, 20092 Cinisello Balsamo, Milano, Italy Phone: 02-66010500
TEAC AUSTRALIA PTY., LTD.	106 Bay Street, Port Melbourne, Victoria 3207, Australia Phone: (03) 9644-2442

A.B.N. 80 005 408 462

This appliance has a serial number located on the rear panel. Please record the model number and serial number and retain them for your records.

Model number

Serial number

PRINTED IN CHINA 0702·MA-0679A